

Alienware Elite Gaming Mouse
AW958
User Guide

A L I E N W A R E™ 

Notes, cautions, and warnings

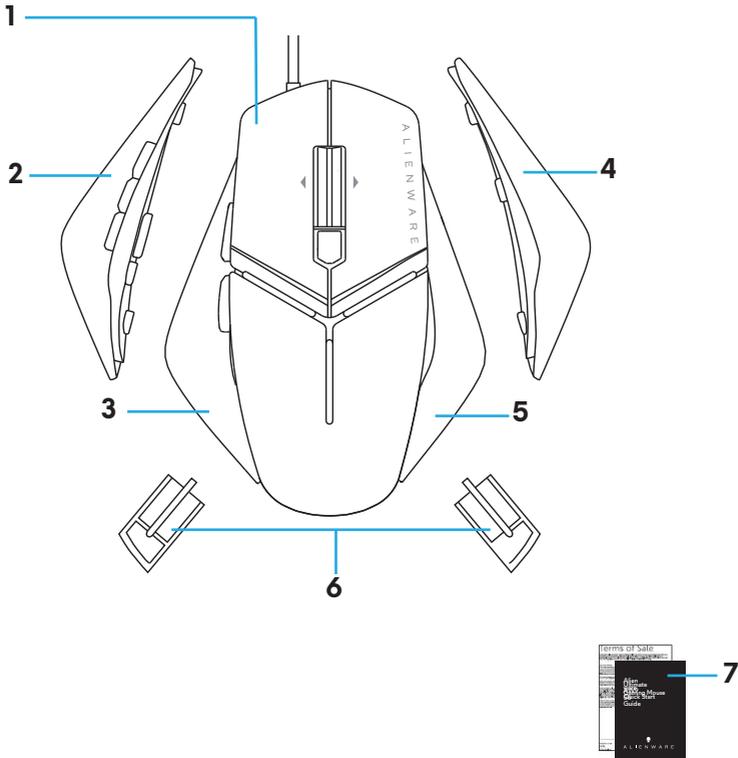
-  **NOTE:** A NOTE indicates important information that helps you make better use of your computer.
-  **CAUTION:** A CAUTION indicates potential damage to hardware or loss of data if instructions are not followed.
-  **WARNING:** A WARNING indicates a potential for property damage, personal injury, or death.

Copyright © 2017 Dell Inc. or its subsidiaries. All rights reserved. Dell, EMC, and other trademarks are trademarks of Dell Inc. or its subsidiaries. Other trademarks may be trademarks of their respective owners.

Contents

What's in the box.	4
Mouse feature.	5
Setting up your gaming mouse.	6
Changing left and right grip.	8
Adjusting carrier weights.	9
Adjusting mouse palm rest	10
Alienware control center	11
Installing Alienware control center.	11
Using Alienware control center.	12
Configuring the Lighting	13
Configuring Macros.	15
Troubleshooting	19

What's in the box



1. Mouse

3. Left grip with 2 buttons

5. Small right grip

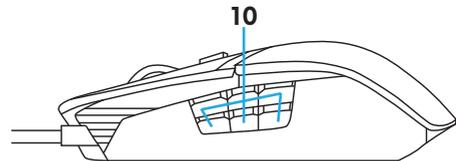
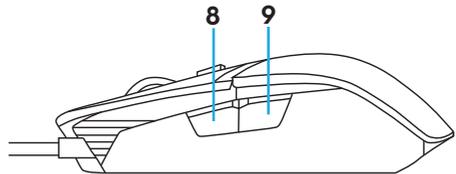
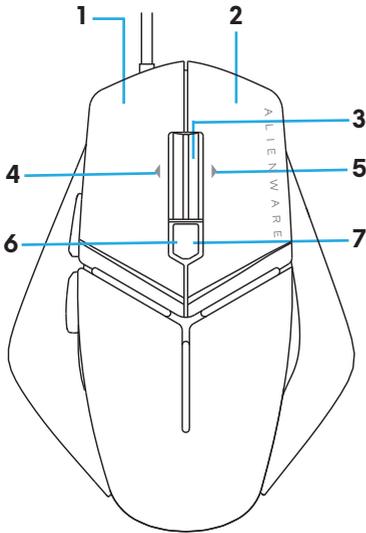
7. Documents

2. Left grip with 6 buttons

4. Large right grip

6. 5 gram weight (4x) with carrier casing

Mouse feature



- 1. Left button
- 2. Right button
- 3. Middle/Scroll button
- 4. Wheel left tilt
- 5. Wheel right tilt
- 6. DPI left (To decrease DPI level)
- 7. DPI right (To increase DPI level)
- 8. Forward
- 9. Backward
- 10. 6 customizable buttons

NOTE: Adjustable DPI (DPI stands for Dots Per Inch)

- On-the-fly DPI button allows you to instantly change mouse tracking resolution during game play.
- Mouse allows setting up to three tracking resolution. (Default resolution setting: 1200, 3600, 5000, 8000 and 12000 DPI)
- Pushing left side of DPI button reduces the DPI while pushing the right side increases DPI.
- The LED color for 5 DPI stages.



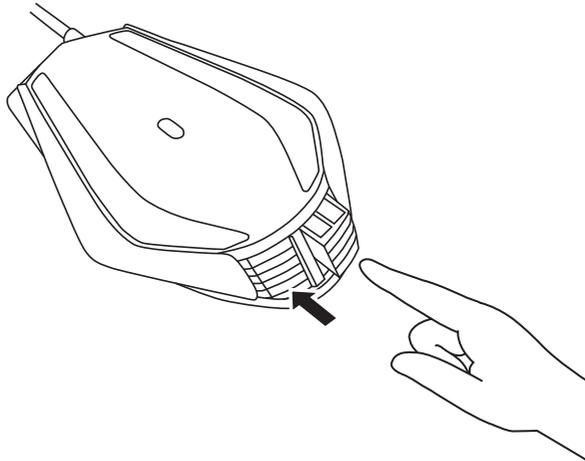
Setting up your gaming mouse

System requirements

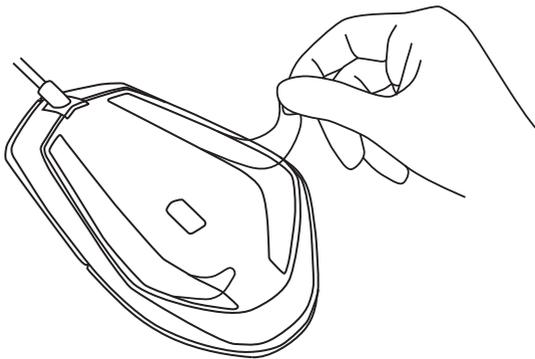
- Microsoft Windows 10 and above

Steps to setting up

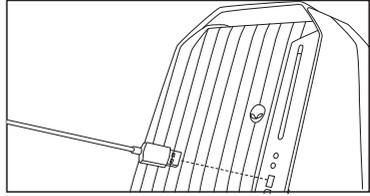
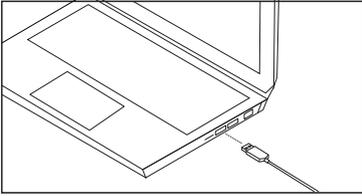
1. Insert both weight carriers by pushing them into the back opening of the mouse.



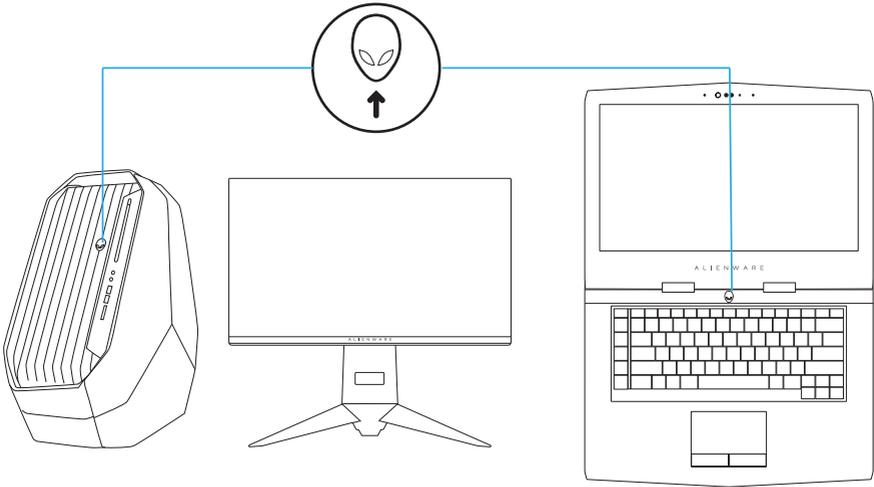
2. Remove the footpad protective sheet.



3. Insert mouse USB plug into USB port on your computer.



4. Power on your computer.



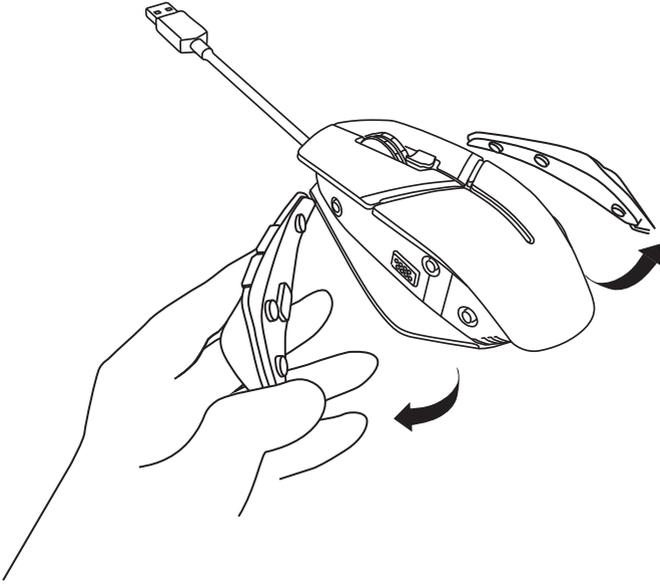
4. Download Alienware Control Center software from the website:
<http://www.dell.com/support/drivers>



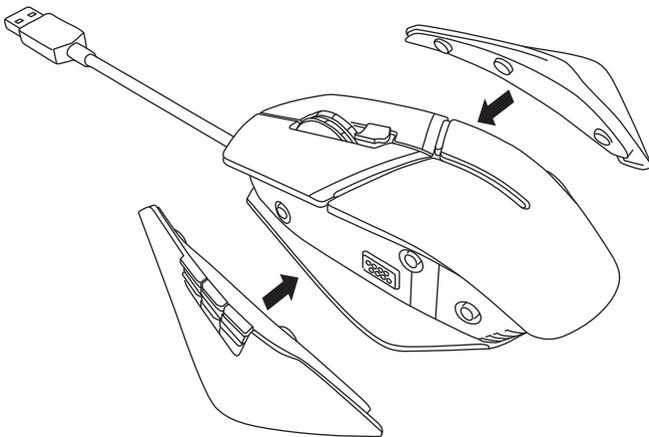
 **NOTE: You can customize mouse feature and lighting effects by using Alienware control center.**

Changing left and right grip

1. Both left and right grip can be removed by pulling outwards as shown.

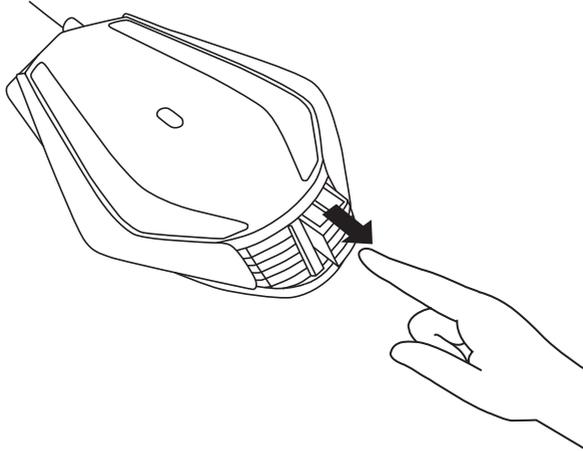


2. Optional left and right grip can be attached magnetically as shown.

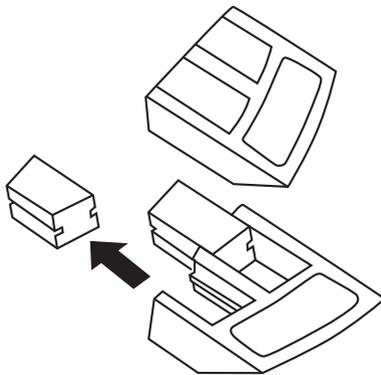


Adjusting carrier weights

1. Push inwards on the weight carrier casing to release it as shown.

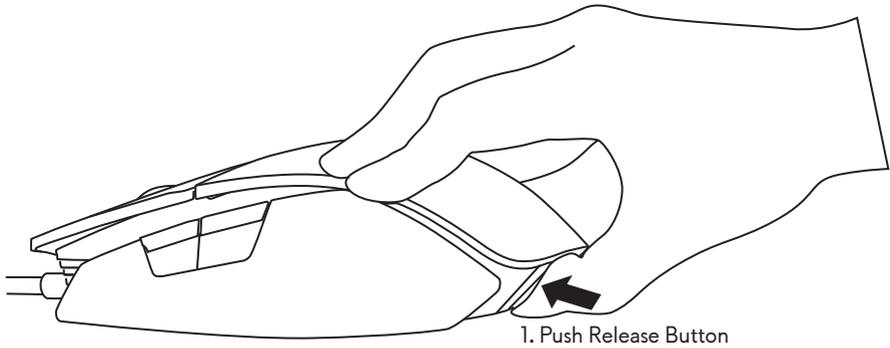


1. Each 5 gram weight (4 pieces in total) can be removed by sliding it out from the carrier casing

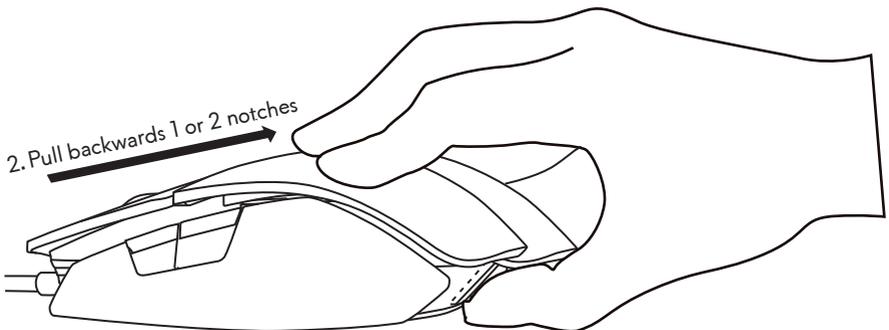


Adjusting mouse palm rest

1. Push the release button silver bar located below the palm rest and hold it down as shown.



2. While holding down the release button, slide the palm rest backwards either 1 notch or 2 notches to suit your palm size.



Alienware Control Center

Alienware Control Center allows you to customize the buttons on your keyboard, change lighting effects, and so on.

Installing Alienware Control Center

To install the Alienware Control Center:

1. Turn on the computer.
2. Go to www.dell.com/support/drivers.
3. Click **View products**.
4. Click **Electronics & Accesories**.
5. Click **Mice, Keyboards & Wireless Touchpads**.
6. Select your Alienware gaming device.
7. Click **Drivers & downloads**.
8. Scroll down the page and expand **Alienware Control Center**.
9. Click **Download**.
10. Save the file.
11. After the download is complete, open the file and follow the instructions on the screen to install the **Alienware Control Center**.

Using the Alienware Control Center

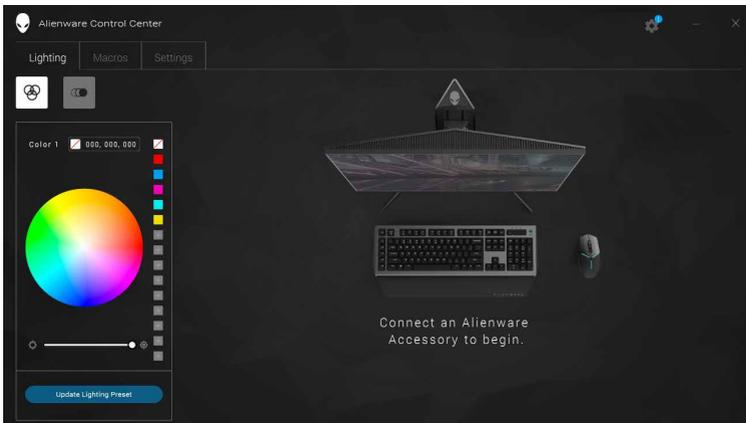
 NOTE: Selected features will be updated at a later time.

Launching the Alienware Control Center

1. Plug in your Alienware accessory to the USB port on your computer.
2. Double-click on the Alienware Control Center icon on your desktop to open the application.

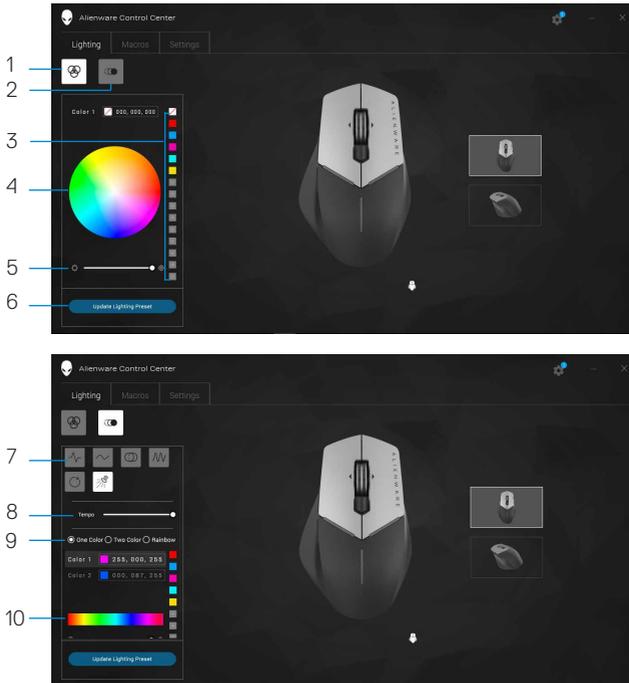


 NOTE: If your device is not attached, you will be prompted to connect an Alienware accessory to begin.



Configuring the Lighting

The **Lighting** tab allows you to customize the lighting effects on your Alienware gaming device.



- | | | | |
|---|---------------------|----|------------------------|
| 1 | Static button | 2 | Animation button |
| 3 | Color preset | 4 | Color wheel |
| 5 | Intensity slider | 6 | Update Lighting button |
| 7 | Animation preset | 8 | Tempo slider |
| 9 | Color radio buttons | 10 | Color bar |

Static

Configure your Alienware device to have static lighting.

1. Click on the static button.
2. Click on the color wheel to select a color.
 NOTE: Add color presets by selecting a color on the color wheel and dragging it to the presets.
3. Drag the intensity slider to the right to increase the color intensity, or drag it to the left to decrease it.
4. Click **Update Lighting Present** to save the selected settings.

Animation

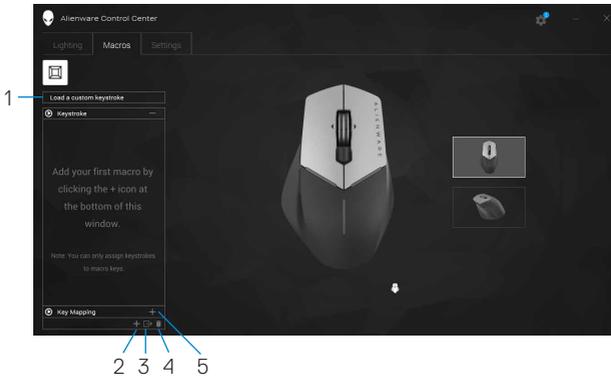
Configure your Alienware device to have animated lighting.

1. Click on the animation button.
2. Click on one of the animation presets to select it.
3. Drag the tempo slider to the right to increase the animation speed, or drag it to the left to decrease it.
4. Click on one of the color radio buttons to select it.
 NOTE: Select **One color**, **Two color**, or **Rainbow**. If you selected two color, click on **Color 1** and select a color from the color bar to pick the colors. Follow the same procedure when changing **Color 2**.
 NOTE: Add color presets by selecting a color on the color wheel and dragging it to the presets
5. Drag the slider to select the color intensity. Drag the slider towards the right to increase the intensity and to the left to decrease it.
6. Click **Update Lighting Present** to save the selected settings.

Configuring Macros

The **Macros** tab allows you to load, delete, or create new macros for your Alienware gaming device, and perform key mapping for your gaming mouse.

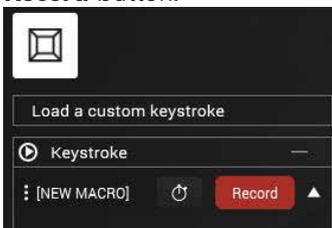
Macros are selected keystrokes and mouse clicks that you could record and save. Using macros allows you to playback these keystrokes and mouse clicks by clicking on the macro keys.



- | | |
|-----------------------------|----------------|
| 1 Import macro | 2 Add macro |
| 3 Export macro | 4 Delete macro |
| 5 Expand key mapping screen | |

Creating a macro

1. Click on the Add macro button **+** on the bottom of the screen. The **[NEW MACRO]** appears on the screen.
2. Hover your mouse pointer to the new macro window then click on the **Record** button.



3. Perform the keystrokes or mouse clicks that you want to include in your macro.

 **NOTE:** While in recording mode, the **Record** button will change to **Stop**.

4. Click **Stop** when the gestures have been performed.

 **NOTE:** To change the name of the new macro, double-click on **[NEW MACRO]** then type the new name when you see the blinking cursor.

5. To save the macro, drag and drop it to the image of the macro keys displayed on the screen.



6. Click the mouse button or macro key to run the macro.

Importing macro

To import a macro:

1. Click **Load a custom keystroke**. The Import Macro window opens.
2. Navigate to the folder where you saved the macro.
3. Click the macro and click Open. The imported macro appears on the screen.

Exporting macro

To export a macro:

1. Drag the macro you want to export.
2. Drop it on the Export macro button . The **Export Macro** window opens.
3. Navigate to the folder where you want to save the macro.
4. Type the file name for the macro and click **Save**.

Deleting a macro

Drag the macro you want to delete and drop it on the Delete macro button . The macro is deleted.

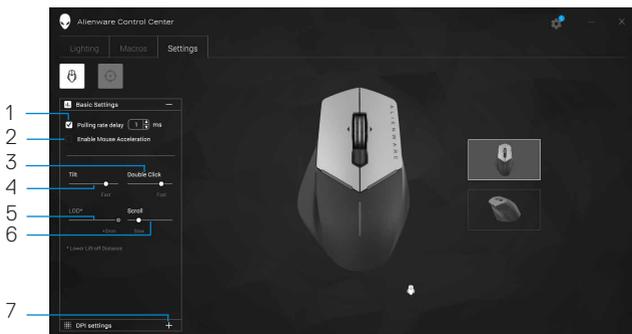
Key Mapping

 NOTE: This option is only available for Alienware Advanced Gaming Mouse AW558 and Alienware Elite Gaming Mouse AW958.

1. Click **Switch primary and secondary buttons** to switch the button functions of your mouse.
2. Select a function or game on the list box. The corresponding gesture for the selected key is displayed.
3. Drag the selected gesture and drop it to the image of the key displayed on the screen.

Configuring the Settings

The **Settings** tab allows you to customize the basic and DPI settings on your Alienware gaming device.



- | | | | |
|---|---|---|---------------------|
| 1 | Polling rate delay | 2 | Mouse acceleration |
| 3 | Tilt slider | 4 | Double-click slider |
| 5 | Lift-off Distance (LOD) slider (only AW958) | 6 | Scroll slider |
| 7 | DPI settings | | |

- Click on the **Polling rate delay** checkbox. Click the toggle buttons to increase or decrease the value.
- Click on the checkbox **Enable mouse acceleration**.
- Drag the **Tilt** slider to select the speed. Drag the slider towards the right to increase the speed and to the left to decrease it.
- Drag the **Double Click** slider to select the speed. Drag the slider towards the right to increase the speed and to the left to decrease it.
- Drag the **LOD (Lower Lift-off Distance)** slider to select the speed. Drag the slider towards the right to increase the speed and to the left to decrease it.
- Drag the **Scroll** slider to select the speed. Drag the slider towards the right to increase the speed and to the left to decrease it.
- Click on the **+** to expand the DPI (Dots Per Inch) settings. Drag the **DPI** slider upwards to increase or downwards to decrease the DPI value.

Troubleshooting

Problems	Possible solutions
Mouse is not functioning	<ol style="list-style-type: none"><li data-bbox="580 309 1039 376">1. Unplug the mouse and plug it back into the USB port on your computer.<li data-bbox="580 384 1039 411">2. Plug the mouse to another USB port.<li data-bbox="580 419 824 459">3. Restart the system.
Mouse lighting is off	<ol style="list-style-type: none"><li data-bbox="580 499 981 566">1. Press any button to wake up the mouse from sleep mode.<li data-bbox="580 574 1039 641">2. Unplug the mouse and plug it back into the USB port on your computer.<li data-bbox="580 649 1039 676">3. Plug the mouse to another USB port.<li data-bbox="580 684 824 735">4. Restart the system.
Mouse is not running based on the selected configuration in Alienware control center	<ol style="list-style-type: none"><li data-bbox="580 791 1039 858">1. Ensure the Alienware Control Center is installed on your computer.<li data-bbox="580 866 1039 973">2. Open the Alienware Control Center and ensure the selected configuration has been set up and saved.

Problems

Possible solutions

How to connect a wired mouse to your computer

1. Look for the connector at the end of the USB mouse cable.
2. Look for a USB port on your computer.

Resolving cursor issues

1. Reseat the wired USB mouse cable into the USB port.
2. Make sure the optical opening at the bottom of the mouse is clean.
3. Make sure the surface you are using has enough of a pattern in it that the mouse can tell when it has been moved (a mouse pad is best, since the mouse judges movement by reflections, a uniform surface is harder for the mouse to tell when it has been moved)
4. Try the wired USB mouse in another USB port on the computer. A notice that drivers are being installed may appear; if so, wait until a message that the drivers were installed before you use the mouse.
5. Try another wired USB mouse, when available. A notice that drivers are being installed may appear, if so, wait until a message that the drivers were installed before you use the mouse.
6. Save any data, close any open program(s) and restart the computer. When you do not have another mouse or touchscreen, you may have to hold the power button down for at least 15 seconds to turn the computer off and you will lose any data not saved.

Problems

Resolving Mouse
Button Issues

Possible solutions

1. Make sure there is nothing preventing the mouse buttons from moving. Most mouse buttons make a clicking noise when pressed down all the way.
2. Reseat the wired USB mouse cable into the USB port.
3. Try the wired USB mouse in another USB port on the computer. A notice that drivers are being installed may appear, if so, wait until a message that the drivers were installed before you use the mouse.
4. Try another wired USB mouse, when available. A notice that drivers are being installed may appear, if so, wait until a message that the drivers were installed before you use the mouse.
5. Save any data, close any open program(s) and restart the computer. When you do not have another mouse or touchscreen, you may have to hold the power button down for at least 15 seconds to turn the computer off and you will lose any data not saved.

Troubleshooting
a Slow Moving
Cursor

1. Make sure the optical opening on the bottom of the mouse is clean.
2. Make sure the surface you are using has enough of a pattern in it that the mouse can tell when it has been moved (a mouse pad is best, since the mouse judges movement by reflections, a uniform surface is harder for the mouse to tell when it has been moved).

Problems

Troubleshooting
a Slow Moving
Cursor

Possible solutions

3. Change the mouse settings to adjust the pointer speed.
Click on the tab that matches the Operating System (OS) installed on your computer and perform the steps within that section to change the settings.
 - In the Search box, type main.cpl.
 - Touch or click main.cpl in the list of programs.
 - Touch or click the Pointer Options tab.
 - Move the slider under Select a Pointer Speed to adjust the cursor speed to the desired level.
 - Touch or click OK.